

20 feet T75 cryogenic ISO tank



The OHS 20 feet cryogenic ISO tank is a vacuum-insulated liquid gas transportable/storage tank.

Designed to transport liquid gases by road, rail and sea, the tank meets IMDG requirements and is also a CSC-approved 20 feet tank container.

20 feet T75 cryogenic ISO tank

General specification details*

- **Approvals/design codes:** EN 13530-2 or ASME VIII , ADR, RID, IMDG, CSC, UN T75
- **Dimensions:** 6,058 mm (l) x 2,438 mm (w) x 2,591 mm (h), (20' x 8' 0" w x 8' 6" h)
- **Gross capacity (approx.):** 20,000 or 22,000 L
- **Design stacking load:** 192,000 kg
- **M.G.M:** 36,000 kg
- **Tare (approx.):** 8,500 kg
- **Typical MAWP:** 18 bar (liquid air gases), 22 bar (LCO₂)
- **Service temperature:** 196°C to +50°C
- **Insulation:** Vacuum + multi-layer super insulation
- **Approved products:** Including: liquid nitrogen, argon, oxygen, carbon, dioxide, ethylene, ethane, methane.

- **NER (typical):** 0.4% p/d (LIN)
- **Material, inner vessel:** Stainless steel
- **Material, outer jacket:** Stainless steel or carbon steel
- **Annular piping:** Stainless steel
- **Valve types:** Main operational valves - Herose globe valves
- **Pressure-build coil:** Aluminium Star-Fin tube vaporiser
- **Cabinet:** Aluminium, lockable
- **Paint protection:** Blast to SA2.5, 1 coat primer with zinc, 1 coat primer epoxy, 1 topcoat polyurethane
- **Manufacturers:** Chart Ferro, Wessington Cryogenics, Cryovat

Connections

Liquid connection:

DN65 Flange

Gas connection:

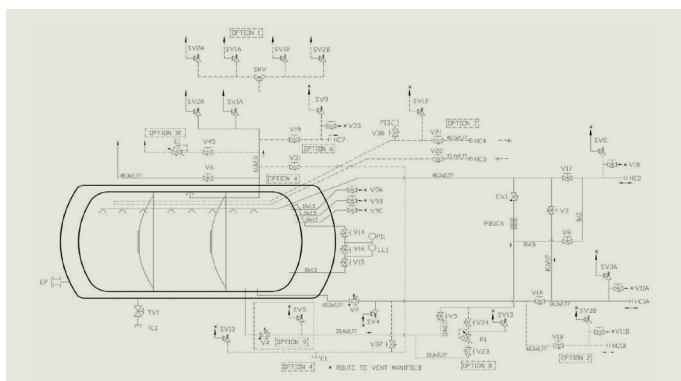
DN65 or DN50 Flange



Typical performance examples

Product (refrigerated liquid)	Typical working pressure (barg)	Initial fill pressure (barg)	Typical payload (kg)	Typical holding time (days)
Nitrogen	18	0.34	11,500	70
Argon	18	0.34	21,000	80
Oxygen	18	0.34	17,000	100
Ethylene	18	1.0	8,000	130
Methane	18	0.5	7,000	130
Carbon dioxide	22	10	20,000	135

Example P+ID**



* Typical specification details provided. Exact specifications may differ according to tank model.

** Exact P&ID may differ according to tank model.

Contacts

OHS

Marywell Commercial Park
Aberdeen
AB12 4SB United Kingdom
Mail: ohs@airliquide.com
www.ohsuk.com



An Air Liquide Maritime affiliate

OHS - Offshore Hire and Services - is an Air Liquide Maritime affiliate specializing in the rental and sale of cryogenic equipment to the International markets.
www.ohsuk.com



Air Liquide is a world leader in gases, technologies and services for industry and healthcare. Present in 60 countries with 66,300 employees, the Group serves more than 4 million customers and patients.
www.airliquide.com